

MARINCO

power products

CLS SERIES - SINGLE PIN CAM DEVICES CLS 16 and 18 Series Inlines

ASSEMBLY INSTRUCTIONS

1. Cut back end of boot to match power cable diameter. Slightly undersize cut to ensure a tight fit between boot and cable jacket.
2. Spray silicone lubricant, liquid soap or cable pulling compound into boot and the end of cable jacket.
3. Slide boot over cable. (Fig. A)
Note: For cable jacket OD over .940" (24 mm) skip this step. The hard plastic sleeve ID is .950" (24.1 mm) and will prevent the boot from being pulled over the cable. Slide boot over brass as shown for step 10. (Fig D.)
4. Strip 1 7/16" (36 mm) of jacket off cable end.
5. Wrap copper foil around exposed wire.
6. Wrap the center of the strain relief wire around cable jacket, 3/8" to 1/2" (9 - 12 mm) from the end of the jacket. Tighten the wire into the cable jacket by twisting wire 2-3 full turns with pliers. Bend the wire ends down so that they rest over the cable jacket and lie flat against the copper foil.
7. Cut ends of the strain relief wire flush with end of the foil. (Fig. A)
8. Insert conductor into contact with strain relief wires opposite the termination screws. (Fig. B)
9. Using an (7/32") Allen wrench, tighten 1/2-20 set screws to 160 in-lbs (18 N-m) of torque.
10. Slide boot over contact, aligning threaded hole in contact with opening port in boot. (Fig. C)
11. Tighten retaining screw to 5 in-lbs (0.5 N-m). Do not over torque. (Fig C)

Connect and Disconnect

1. To connect align the arrows on the male and female boot. Push together. Rotate clockwise to lock. **Note: The cams will lock between 30° and 180°**
2. To disconnect rotate counterclockwise and pull apart.

**CAUTION - RISK OF ELECTRIC SHOCK.
DO NOT DISCONNECT UNDER LOAD**
**ATTENTION - RISQUE DE CHOC
ÉLECTRIQUE.
NE PAS DÉBRANCHER SOUS CHARGE**

Tech Support and Customer Service 800.307.6702
Email: Technical@Marinco.com
Website: www.marinco-powerproducts.com



TYPE 3R & 4

203340 Rev A

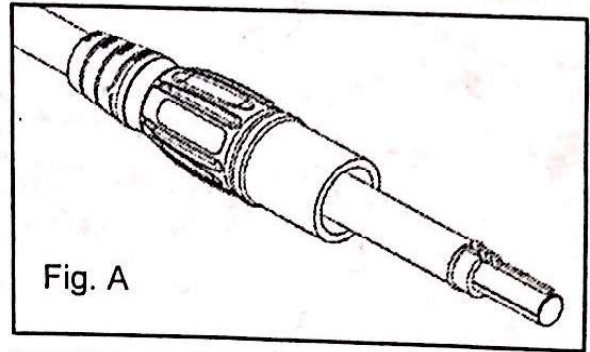


Fig. A

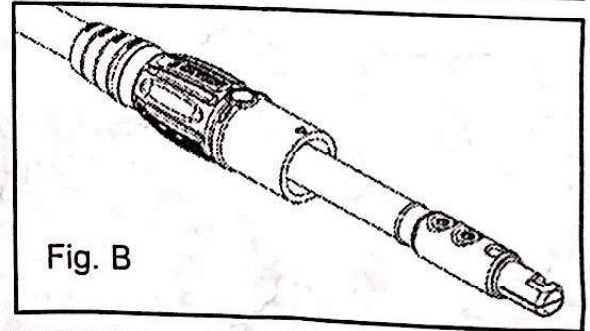


Fig. B

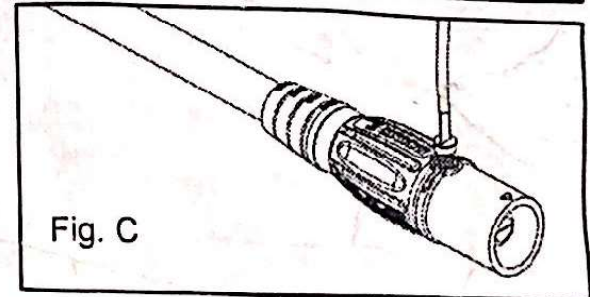


Fig. C

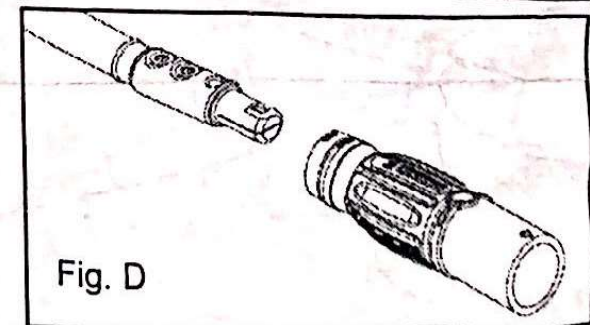


Fig. D

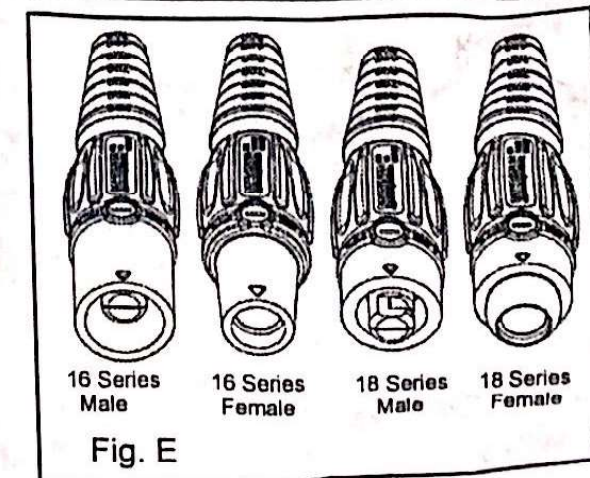


Fig. E

Cable Size AWG	75° C Cable	90° C Cable
#2	150A	190A
#1	170A	220A
1/0	200A	260A
2/0	235A	300A
3/0	275A	350A
	315A	400A